

Angular Contact Ball Bearings

Bearing No. : **NACHI 7302BDB**

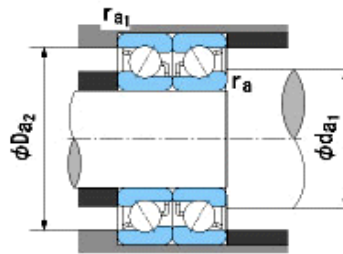
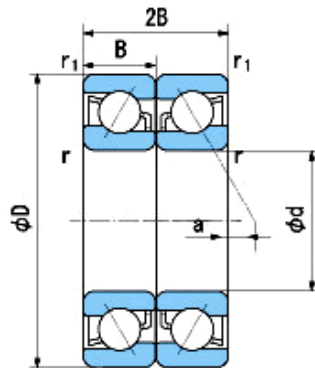
■ Bearing Type

■ Clearance

■ Tolerance Class

Dimensions

d = 15⁰_{-0.008}
 D = 42⁰_{-0.011}
 B = 13⁰_{0.000}
 r = 1~1.5
 (Radial Direction)
 r = 1~3
 (Axial Direction)
 r1 = 0.6~1
 (Radial Direction)
 r1 = 0.6~2
 (Axial Direction)
 a = 5.5



Dimensions

da1(min) = 21
 da2(min) = 18
 Da1(max) = 36
 Da2(max) = 38.4
 ra(max) = 1
 ra1(max) = 0.6
 Mass = 0.17 kg

Basic Dynamic Load Rating Cr :	21,000 N
Basic Static Load Rating Cor :	13,500 N
Limiting Speed ;	
Grease Lubrication :	11,000 min ⁻¹
Oil Lubrication :	16,000 min ⁻¹

	INNER RING	OUTER RING
O.D.Surface Runout with Side :		-
Axial Runout with Bore :	-	
Axial Runout with Raceway :	-	
Width Variation :	0.020	0.020
Radial Runout :	0.010	0.020